

# 800m F-CLASS

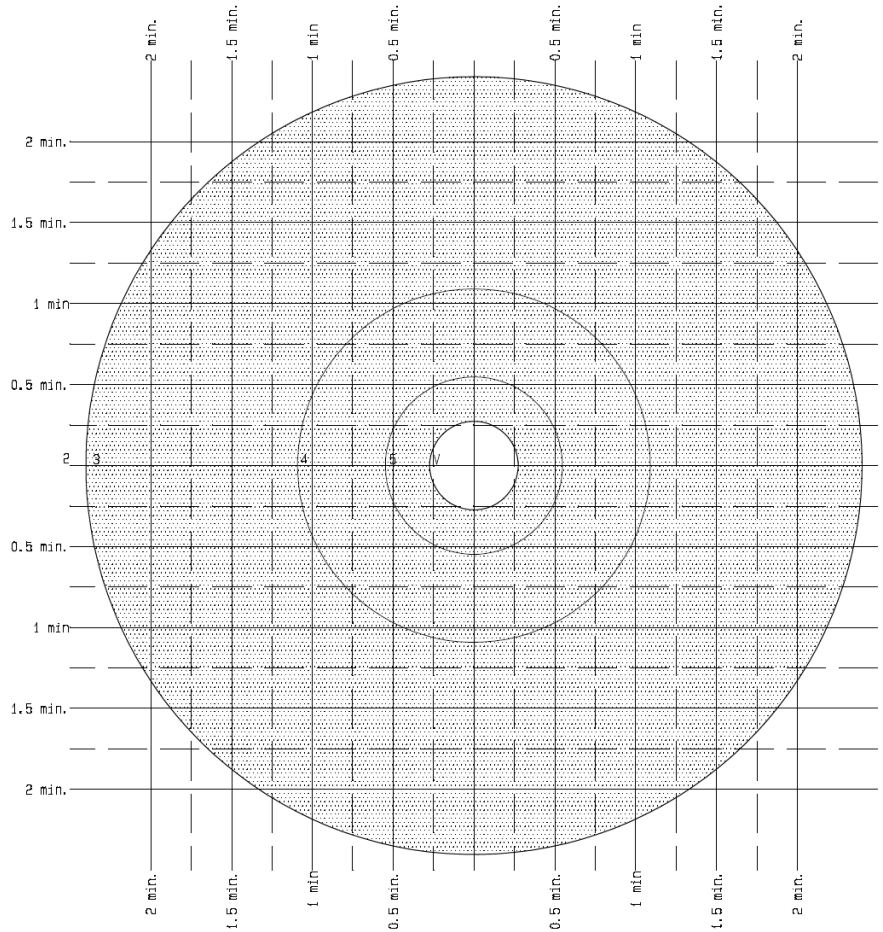
NAME. \_\_\_\_\_

DATE. \_\_\_\_\_

RANGE. \_\_\_\_\_

RIFLE. \_\_\_\_\_

ELEV.	SCORE	ESTIMATED WIND	TRUE WIND
	F		
	P1		
	P2		
	1		
	2		
	3		
	4		
	5		
	6		
	7		
	8		
	9		
	10		
	11		
	12		
	13		
	14		
	15		
TOTAL			



# 800m F-CLASS

NAME. \_\_\_\_\_

DATE. \_\_\_\_\_

RANGE. \_\_\_\_\_

RIFLE. \_\_\_\_\_

ELEV.	SCORE	ESTIMATED WIND	TRUE WIND
	F		
	P1		
	P2		
	1		
	2		
	3		
	4		
	5		
	6		
	7		
	8		
	9		
	10		
	11		
	12		
	13		
	14		
	15		
TOTAL			

